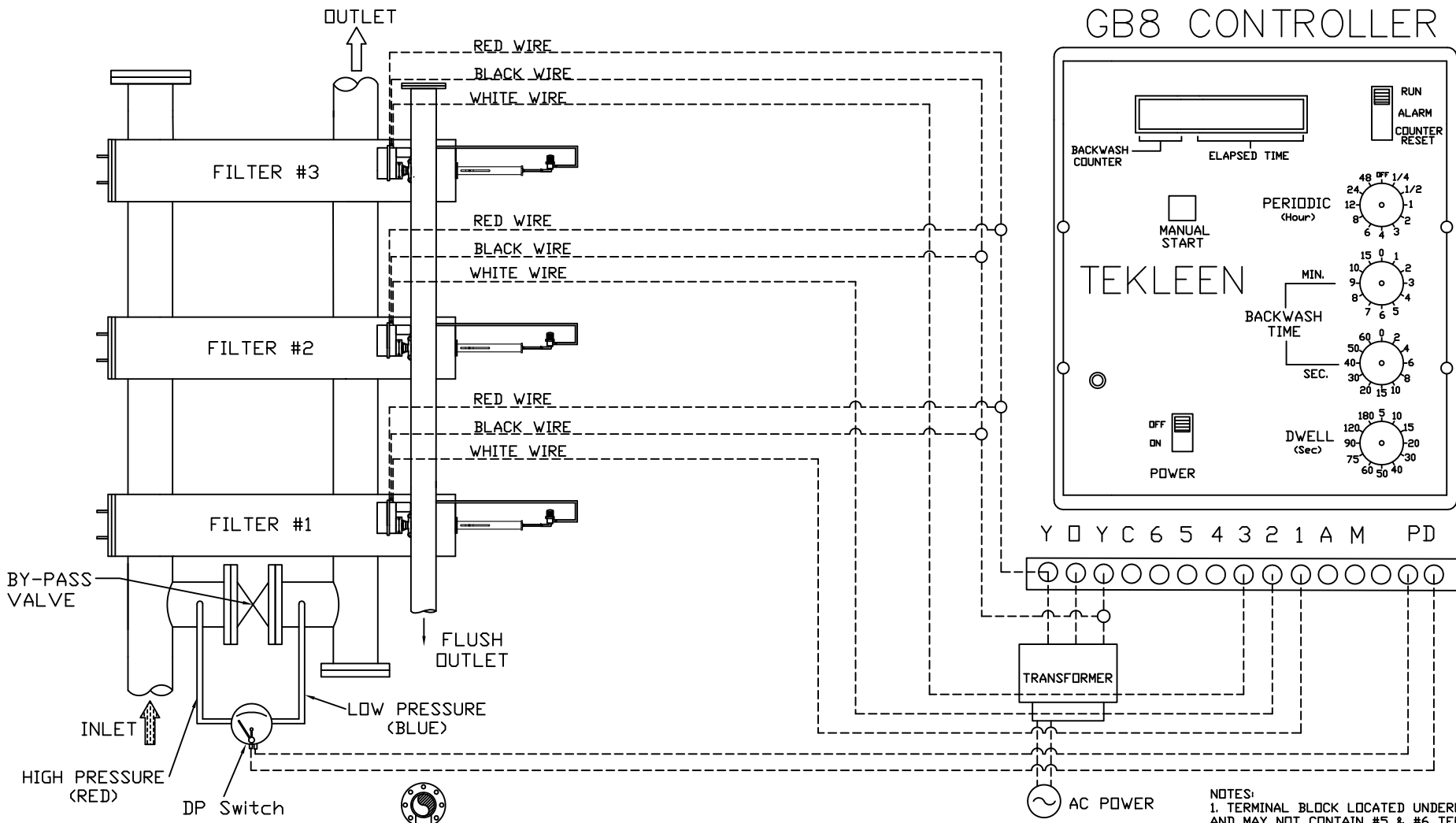
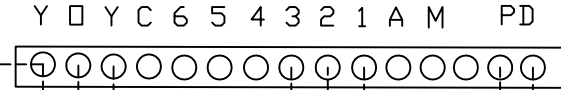
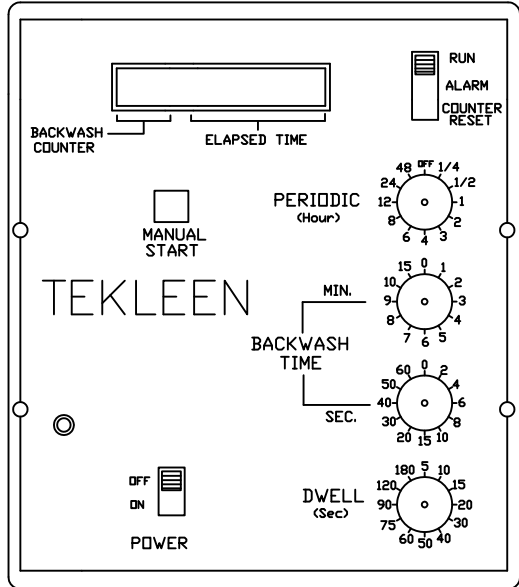


REVISIONS				
ZONE	REV	DESCRIPTION	DATE	APPROVED



# GB8 CONTROLLER



NOTES:  
1. TERMINAL BLOCK LOCATED UNDERNEATH BOARD AND MAY NOT CONTAIN #5 & #6 TERMINALS.

UNLESS OTHERWISE SPECIFIED DIMENSIONS ARE IN INCHES TOLERANCES  
DECIMALS .XX ± .05 .XXX ± .01  
ANGULAR ± 0.5 DEG.

**AUTOMATIC FILTERS, INC.**  
2672 S. LA CIENEGA BLVD.  
LOS ANGELES, CA 90034  
(310) 839-2828 FAX (310) 839-6878

DRAWN	DATE
S. PERKINSON	04/04/12
CHECKED	
DESIGN	

TITLE **INSTALLATION LAYOUT FOR 3x ABW FILTERS IN PARALLEL WITH GB8 CONTROLLER & ELECTRIC FLUSH VALVES**

SIZE	DWG. NO.	REV
A	WIRE-3ABWGB8-LAY-01	N/A
NOT TO SCALE		SHEET 1 OF 1

Junction	○
No Junction	◡
Electric Connection	-----
Hydraulic Connection	=====

